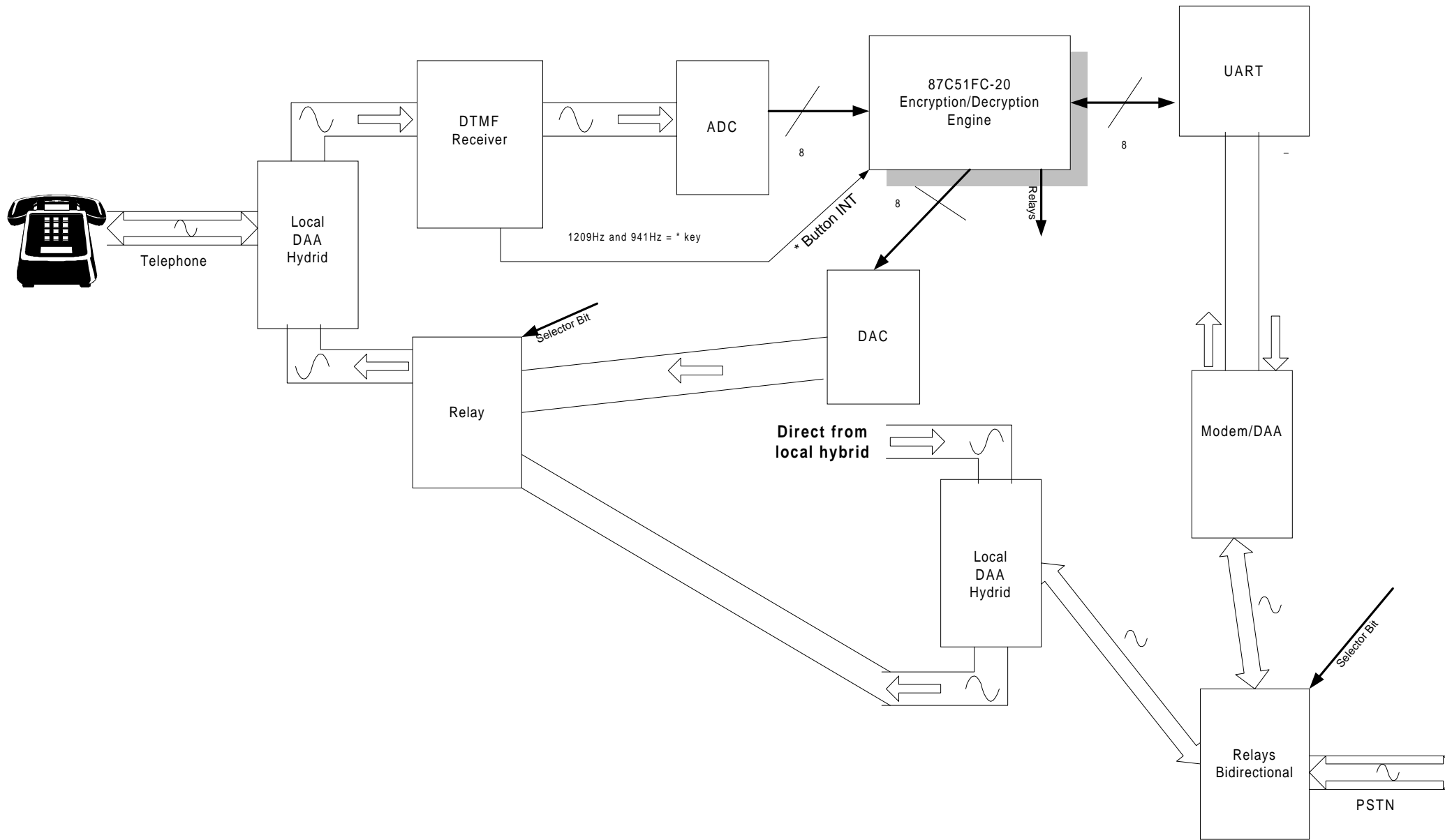
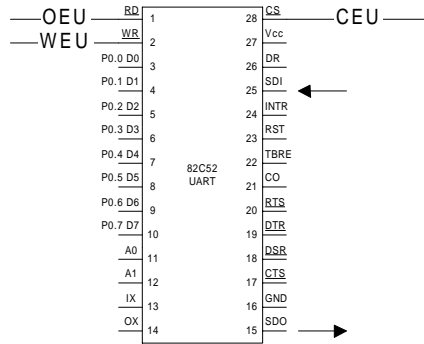
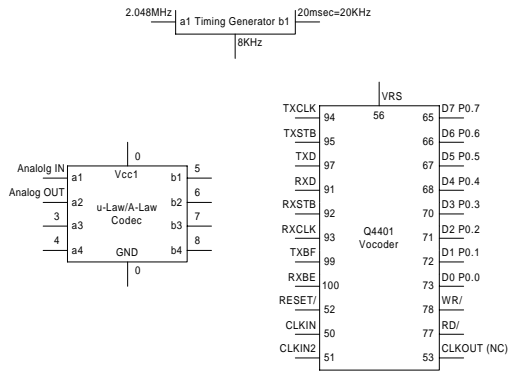


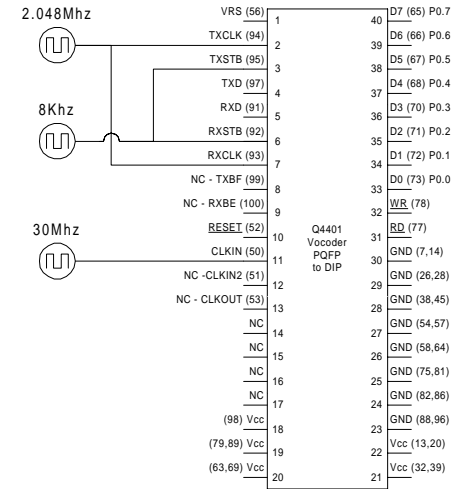
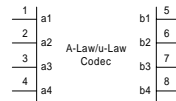
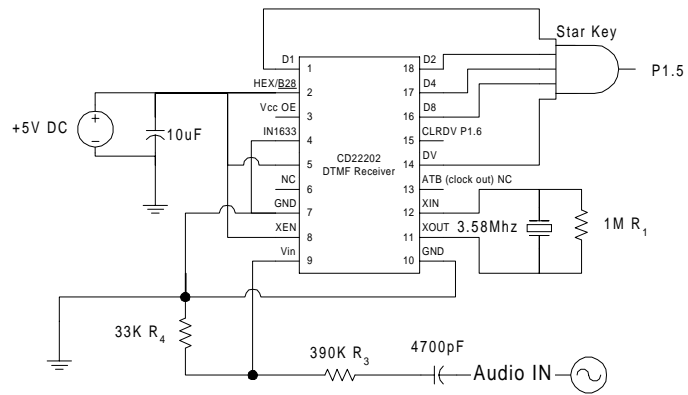
Basic Architecture
 Schematic encoded by Kevin Fu
 6.115 Fall 1997

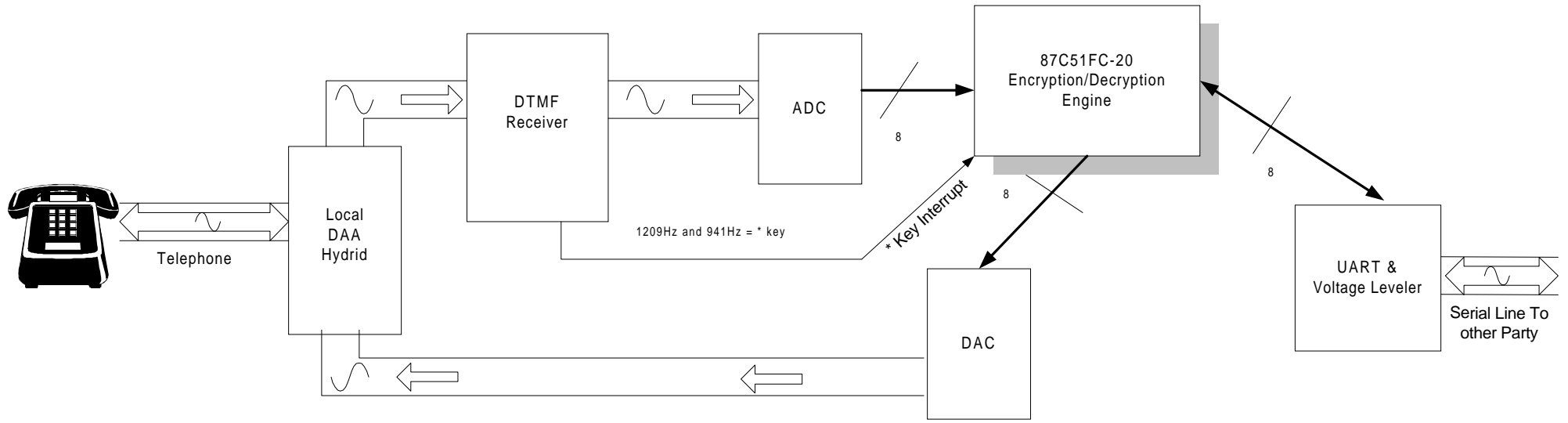


PSTN Transmission
 Schematic encoded by Kevin Fu



LED Display Driver
Rodrigo?





**Serial Transmission Diagram
Schematic encoded by Kevin Fu**