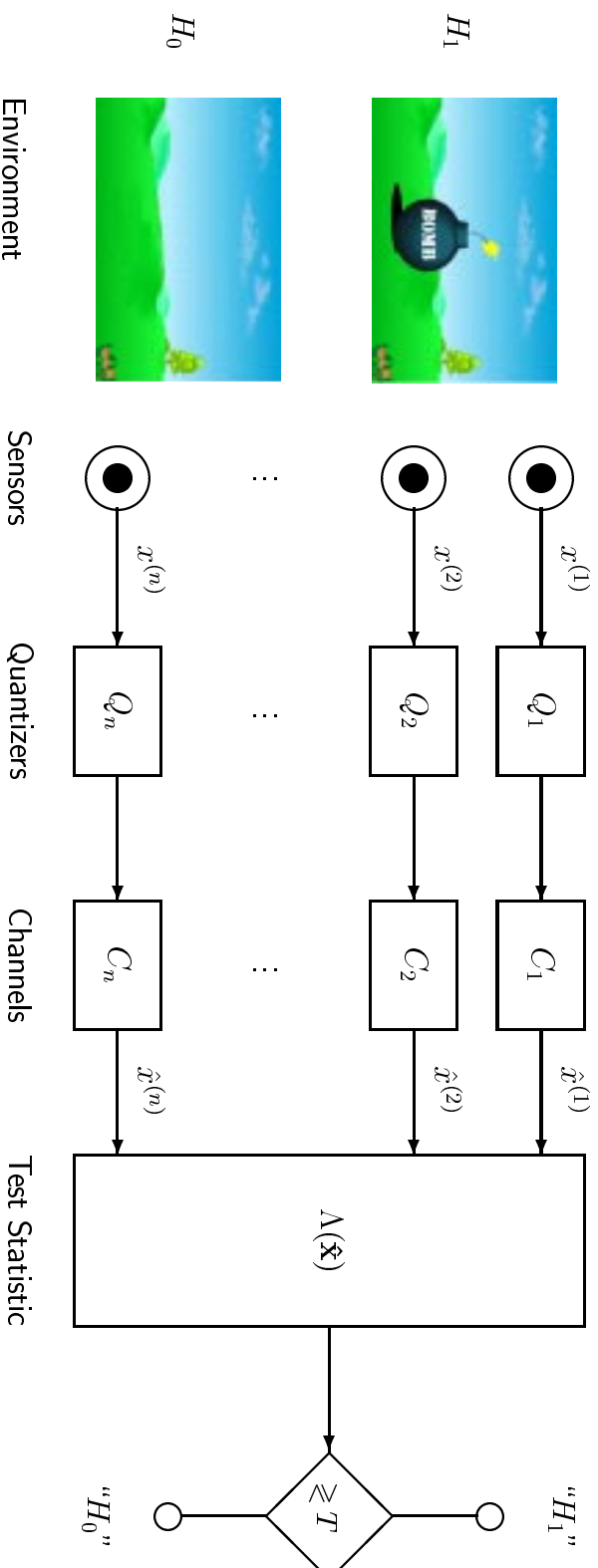


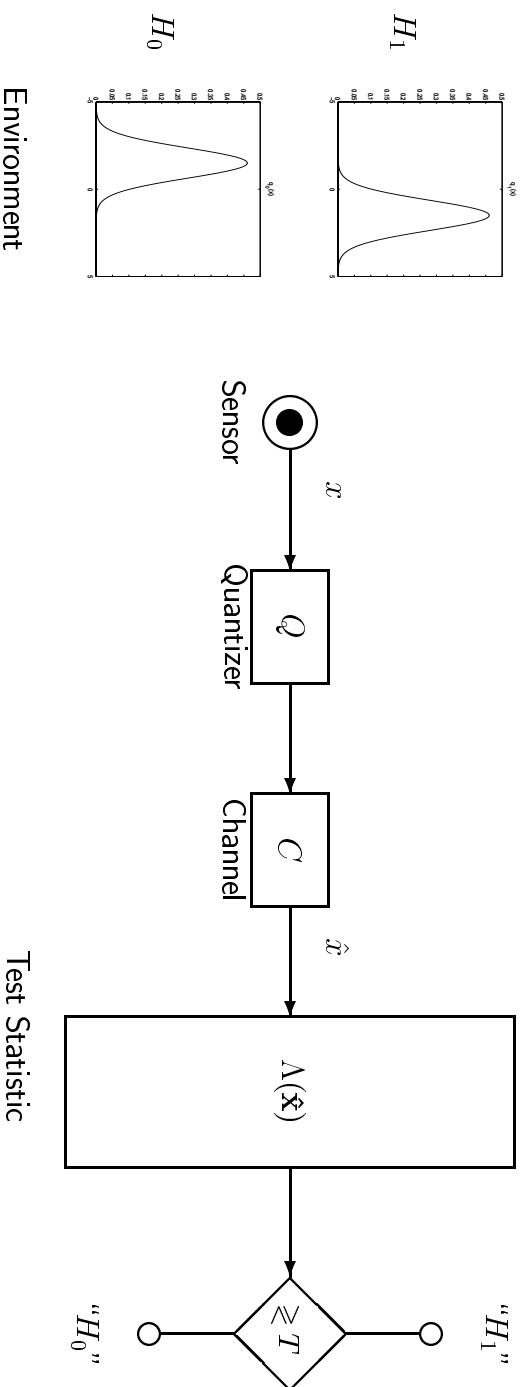
# Distributed quantization in a sensor net

Objective: Observe  $[x^{(1)}, \dots, x^{(n)}] = Q(\mathbf{x})$  and decide between  $H_0$  and  $H_1$



# Hypothesis testing from $Q/VQ$ data

Objective: Observe  $\hat{x} = Q(x)$  and decide between  $H_0$  and  $H_1$



# ROC Performance of Various Quantizers

